



1348 W. Concord Place
Third Floor
Chicago Illinois 60642

773-772-4340 phone
815-572-8227 fax
sales@tss-radio.com

TSS Radio Hardwire Kit MCHK

Package Contents

- 1 Dual Voltage Power Supply (5 Volt & 12 Volt) including Ground Wire and Ring Terminal Connect
- 1 5V Harness with 2-pin connector
- 1 12V Harness with 3-pin connector
- ATC Fuse Holder with 3 Amp Fuse
- Hardware Kit (1 Expandable wiring sleeve, 3 wire hold downs, 1 butt connector)

Important Pre-Installation Notes

TSS-Radio.com recommends that you have this product professionally installed. Read the entire installation manual as well as the owner's guide with your Sirius radio before proceeding with the installation.

Should the installation notes in this manual not be followed, it may result in personal injury or damage to the various components of the Sirius XM Receiver, the vehicle's AV system, electrical systems or mechanical systems.

The Dual voltage Power Adapter is designed for 12 volt DC negative ground, vehicle electrical systems only. When faced with a blown fuse, always determine the cause and correct the problem before replacing the fuse. Be sure to replace a blown fuse with a fuse of the same type, rating and amperage.

Do not cut any of the wires and cables included with the TSS-Radio Hardwire Kit or the Sirius XM Radio being installed. Any excess cable or wire length should be neatly bundled, or coiled, and secured.

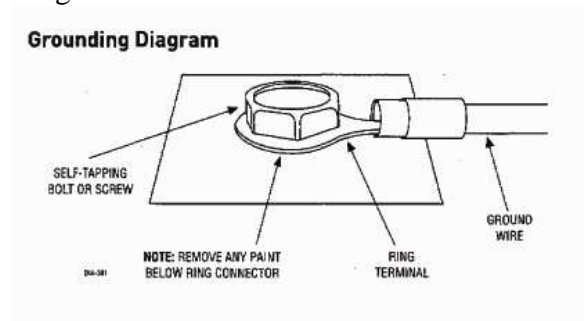
Do not route wires or cables across sharp edges or any holes that could cause the wire or cable to become damaged, chafed, cut or shorted. If routing across sharp edges is unavoidable, use the expandable sleeve provided to protect the wires. Use rubber grommets when routing through holes. Make sure to route all wires away from any moving parts that may damage them. Avoid pinching squashing, kinking or crimping any of the wires used in this install, or any of the vehicles existing wires, during the installation.

Refer to the owner's guide for your Sirius XM Radio to determine the voltage required so you can select the correct plug to be used for the output of the dual voltage power adapter. The plugs provided with this kit are designed to fit Sirius XM Receivers that operate on either a 5V or 12V DC. They are sized to prevent inadvertent connection to radios of incorrect voltage rating, so don't force the connector into the Sirius XM Radio. If the connector doesn't fit, stop and make sure you have selected the correct output harness to match your radio's voltage rating.

Wiring and Wire Connections

Refer to your Sirius XM owner's guide for directions to determine whether your receiver uses a 5 volt or 12 volt power source. This is important, as you need to use the three pin plug for the power adapter for 12 volt units and the two pin plug for 5 volt units. The plugs are not interchangeable, which makes it difficult to use the wrong power harness and plug.

After determining the correct harness and plug, you should attach the black ground wire of the Power adapter wire to a good chassis ground using the supplied ring terminal. The connection should be made to bare metal in the vehicle. You may have to scrape paint to get down to bare metal. The kick panel is usually a convenient location for establishing a ground connection. Avoid brackets under the dash and the steering column, as they are poor grounds.



Next, test for a 12 volt circuit in the vehicle that is switched with the key. An accessory circuit is preferred and can be identified as a circuit that shows 12 volts when the key is turned on and drops to 0 volts when the vehicle cranks and then returns to 12 volts when the key falls back to the run position. The fuse holder should be attached to this circuit within 18 inches of the source. **DO NOT** install the fuse at this time. Connect the red wire of the power adapter to the other side of the fuse holder using the supplied butt connector. **DO NOT** install the fuse until all other connections are completed.

At this point, install the fuse into the fuse holder and seat the Sirius XM Radio into its cradle. Turn on both the ignition and the Sirius XM Radio. If your radio has never been activated, let it update the channels as described in the owners guide. Then follow the instructions in your receiver's owner's manual to complete your installation.

If you have any questions or issues with this hardwire kit please don't hesitate to contact us via email – sales@tss-radio.com or via phone 773-772-4340.

Thanks for your business.

TSS-Radio.com