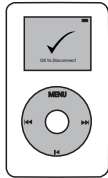


MAZDA

6 Series



iPod



Display Button
Press to toggle through display modes.

Tune Knob

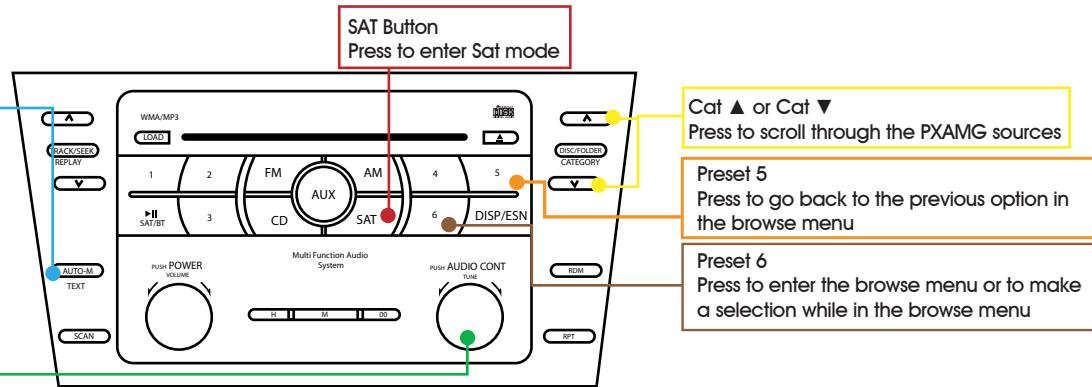
- Turn clockwise to advance to the next track.
- Turn Clockwise to advance to the next option in the browse menu.
- Turn counter clockwise to go back to the previous track.
- Turn counter clockwise to go back to the previous option in the browse menu.

****READ THIS FIRST****

Changing Sources (iPod, HD Radio, *Satellite Radio, AUX)

- Press the "SAT" button
- Press the "CAT ▲" or "CAT ▼" button until the source you want is displayed.
- PLEASE NOTE: If factory satellite radio is installed the PXAMG sources will show up AFTER the last satellite radio category

*if available



Browsing Example:

To select the song "Star-Spangled Banner" through the Artist category

1) Press Preset 6 to enter into the browse menu. The radio will display "PL:LIST".

2) Turn the Tune Knob until radio displays "AR:ARTIST". Press Preset 6 to select. Radio will display "AR:ALL".

3) Turn the Tune Knob until the radio displays "AR:Francis Scott Key". Press Preset 6 to select. Radio will display "AL:ALL".

4) Turn the Tune Knob until radio displays "AL:Patriot Hits Vol. 1". Press Preset 6 to select. Radio will display "TR:All".

5) Turn the Tune Knob until radio displays "TR:Star Spangled Banner". Press Preset 6 to select. Song will begin to play and the display will show track info.

(Actual Radio Appearance may differ from representation.)

QR040

MAZDA

6 Series



****READ THIS FIRST****

Changing Sources (iPod, HD Radio, *Satellite Radio, AUX)

- Press the "SAT" button
- Press the "CAT ▲" or "CAT ▼" button until the source you want is displayed.
- PLEASE NOTE: If factory satellite radio is installed the PXAMG sources will show up AFTER the last satellite radio category

*if available

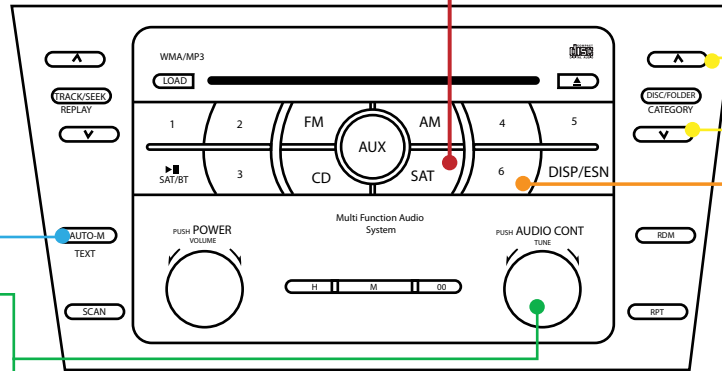
SAT Button
Press to enter Sat mode

Display Button
Press to toggle through display modes.

Cat ▲ or Cat ▼
Press to scroll through the PXAMG sources

Preset 6
Press to switch between manual and auto tuning

Tune Knob
• Turn clockwise to tune up.
• Turn counter clockwise to tune down



HD RADIO EXAMPLE

To select an HD radio station.

Turn the Tune Knob to get to the desired station. The radio will auto lock onto an HD Radio Station if available example: 92.5 HD1 MHz. When locked into an HD Radio Station, turn the Tune Knob clockwise to access multi-cast HD Station(s). (if available) example 92.5 HD2 MHz

To store a radio station into preset memory.

Press and hold the preset button where you want to store the station until a beep is heard. Radio will display "PR Saved"

To recall a station stored into preset memory.

Press the preset button that corresponds with the station you wish to recall

(Actual Radio Appearance may differ from representation.)

QR040